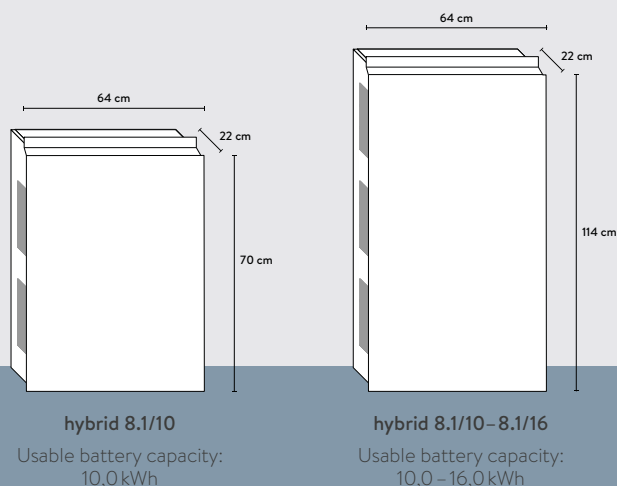


Technical Data sonnenBatterie hybrid 8.1

	hybrid 8.1/10	hybrid 8.1/12	hybrid 8.1/14	hybrid 8.1/16
Usable battery capacity in kWh	10.0	12.0	14.0	16.0
Variety ¹ (10 kWh)				
Weight in kg	146	-	-	-
Dimensions (H/W/D) in cm	70/64/22	-	-	-
Variety ¹ (up to 16 kWh)				
Weight in kg	157	183	209	235
Dimensions (H/W/D) in cm	114/64/22	114/64/22	114/64/22	114/64/22
Max. AC charging/discharging power in W	3,300	3,300	3,300	3,300
Charging time to 90 %, approx.	3 h	3.5 h	4 h	4.5 h
Max. battery efficiency	98%			
Ambient temperature range	5°C – 30°C			
Cell technology	LFP (Lithium Iron Phosphate)			
Dust & water protection	IP 21			



Technical Data sonnenBatterie hybrid 8.1

	hybrid 8.1/10	hybrid 8.1/12	hybrid 8.1/14	hybrid 8.1/16
Battery service life				designed for 20 years
Warranty				10 years ²
Cycles				10,000 ²

Available options

Colour of cabinet ³	black or silvergrey
sonnenSmart-Plugs	3 pcs.
sonnenWallmount	installation mount
sonnenBackup-Box ⁴	emergency backup

We reserve the right to make technical changes and updates without prior notice. Specific values, performance data and other information in this data sheet, brochures and other product information, as well as illustrations and drawings in these documents, are solely illustrative and are subject to ongoing revision and modification. We do not warrant the accuracy or completeness of any information in these documents unless otherwise explicitly stated. Only the information in order confirmation documents or purchase contracts is binding.

A sonnenHybrid inverter is required for operation.

¹ There are two cabinet versions available. By default, the large cabinet is included (Dimensions H/W/D 114/64/22). If a small cabinet is needed for a storage battery of 10 kWh, this must be specified when ordering. ² Please consider the current terms of guarantee. ³ Standard Colour of cabinet: white. The delivery time of the black and gray cabinet is 6 weeks.

⁴ Expected to be available in 2018.